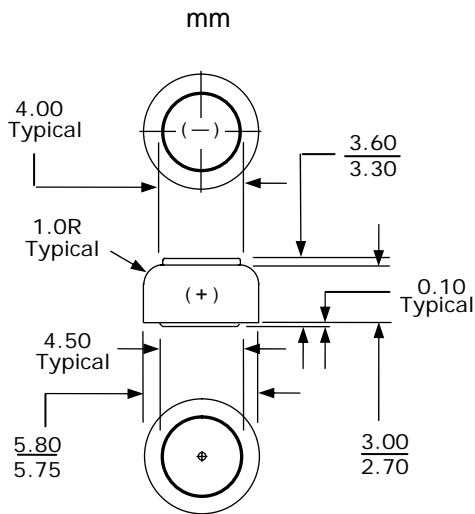


SPECIFICATIONS:



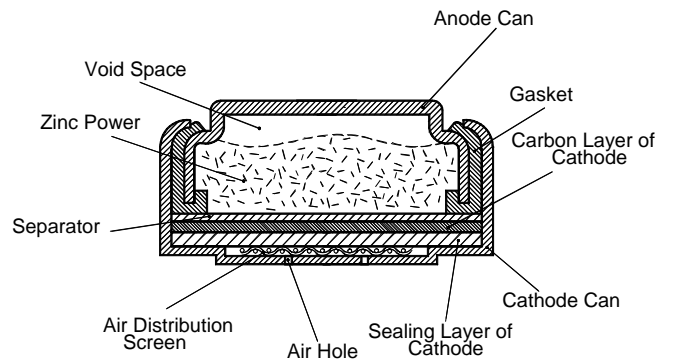
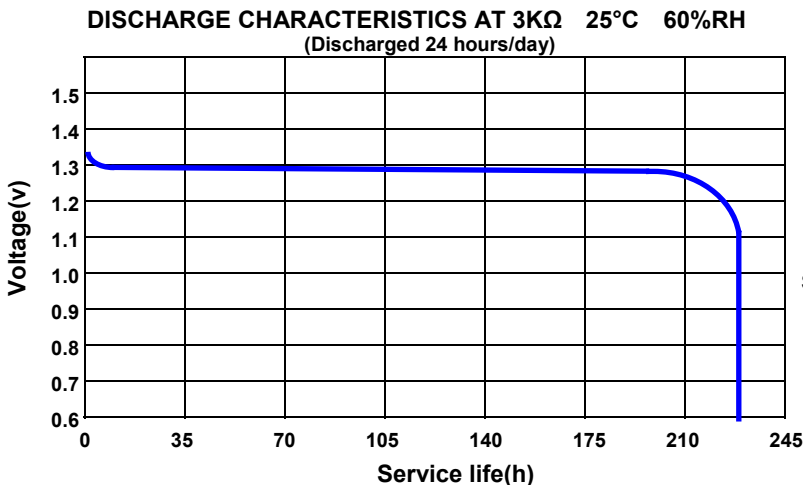
(top view) (bottom view)

Industry Standard Dimensions



- Chemical System:** Zinc Air (Zn/O₂)
- Identification:** IEC-PR70
- Tab Color:** Yellow
- Build Standard:** IEC 60086-1:2000, IEC 60086-2:2000
- Nominal Voltage:** 1.4 Volts
- Capacity:** 100 mAh (to 0.9 volts)
(Rated at 3k ohms at 25°C/ 60%RH)
- Available Current:** 3 mA(at 1.1 volts)
- Tab Sealing Arrangements:** On Cathode Can. See picture above.
- Capacity Retention:** > 85%(after 3 years)
- Shelf Life:** 3 years
- Operation Temp:** 0°C to 50°C
- Typical Weight:** 0.31 grams (0.01 oz.)
- Typical Volume:** 0.08 cubic centimeters
(0.005 cubic inch)
- Impedance:** 8 ohms (at AC 1000Hz)

Construction



Zhuhai Sabuar Electronic Technology Co., Ltd

ADD: Cheng Buiding No. 8,

Yanqiu Zhuhai City, P.R.China.

Home Page: www.seidenbattery.com

Tel: +86-756-8535719 Fax: +86-756-8535469

This data sheet is subject to change without prior notice.
Contact us for the latest information. Contents here do not
constitute a warranty. March ,2008