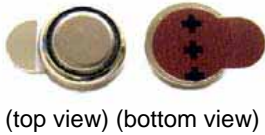
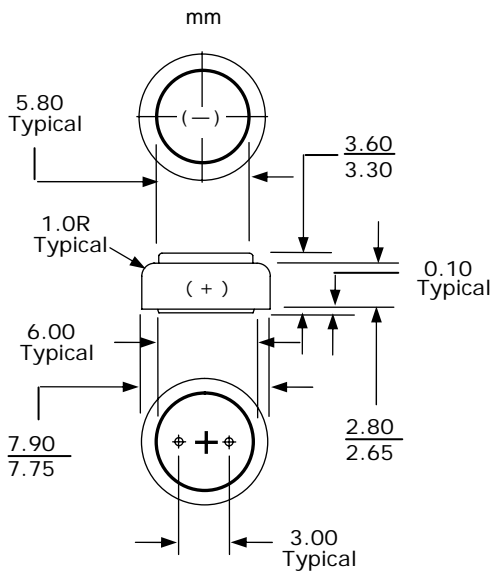


SPECIFICATIONS:

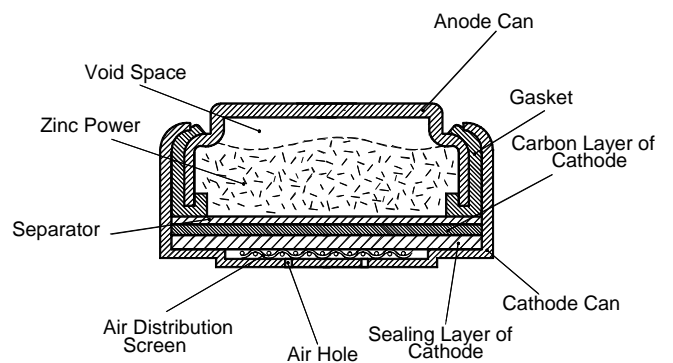


Industry Standard Dimensions



- Chemical System:** Zinc Air (Zn/O₂)
- Identification:** IEC-PR41
- Tab Color:** Brown
- Build Standard:** IEC 60086-1:2000, IEC 60086-2:2000
- Nominal Voltage:** 1.4 Volts
- Capacity:** 180 mAh (to 0.9 volts)
(Rated at 1.5k ohms at 25°C/ 60%RH)
- Available Current:** 6 mA(at 1.1 volts)
- Tab Sealing Arrangements:** On Cathode Can. See picture above.
- Capacity Retention:** > 85%(after 3 years)
- Shelf Life:** 3 years
- Operation Temp:** 0°C to 50°C
- Typical Weight:** 0.54 grams (0.02 oz.)
- Typical Volume:** 0.17 cubic centimeters
(0.010 cubic inch)
- Impedance:** 5 ohms (at AC 1000Hz)

Construction



DISCHARGE CHARACTERISTICS AT 1500Ω 25°C 60%RH
(Discharged 24 hours/day)



Zhuhai Sabuar Etron Technology Co., Ltd

AD. Cheng Buiding No. 1,
Xibou Zhuhai City, P. R. China.

Home Page: www.seidenbattery.com

Tel: +86-756-8535719 Fax: +86-756-8535469

This data sheet is subject to change without prior notice.
Contact us for the latest information. Contents here do not
constitute a warranty. March, 2008